

Since 1910

1-Year Warranty

# DANUSER INDUSTRIAL GROUP

[www.danuser.com](http://www.danuser.com)

## POSTMASTER

Eliminates additional workforce for

Fence Posts  
Median Dividers

Sign Posts  
Tent Stakes

Guard Rails  
Railroad Ties

## SLAB BLASTER

Breaks up to 9" thick concrete

- ◆ Two models available:  
Model 8000 - 36" drop  
Model 9000 - 56" drop

- ◆ Round, square, or H-beam heads available for wood or steel posts, preventing post mushroom. T-post adapter and custom heads up to 8" x 8" also available.



Grapple and Tilt options

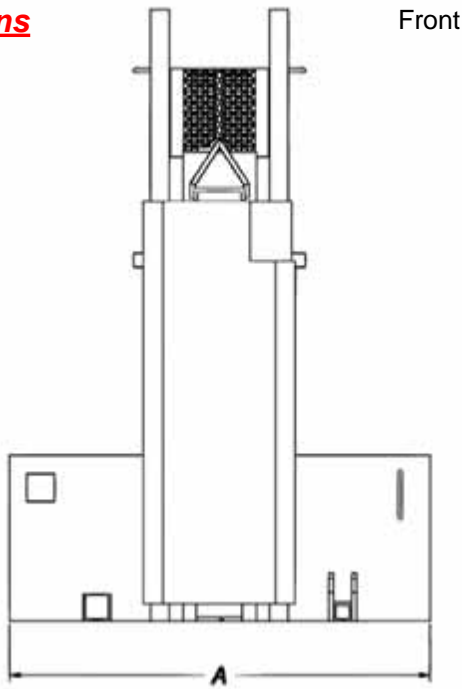


### Options

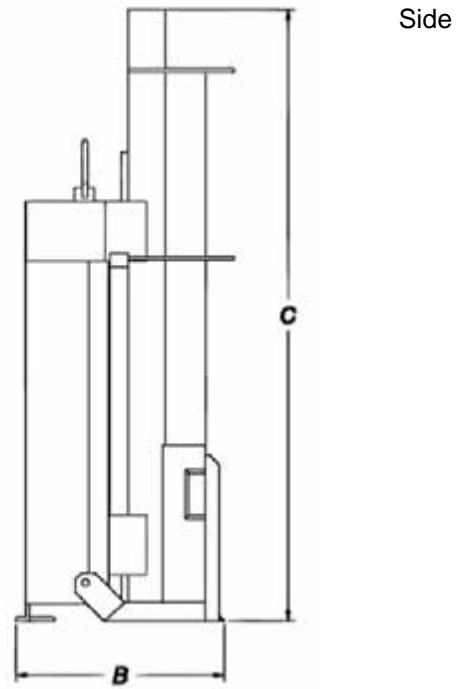
- ◆ **Grapple** allows one-person operation. It picks up the post from the ground without additional hydraulics or controls.
- ◆ **Tilt** up to 19° in each direction.

***Add a proven Danuser attachment to your fleet!***

## Specifications



Front



Side

	Model 8000	Model 9000
Overall Length (A)	48"	
Overall Width (B)	24"	
Overall Height (C)	64"	90"
Hammer Weight (POSTMASTER)	275 lbs. (700 lbs. max.)	
Hammer Weight (SLAB BLASTER)	400 lbs. (700 lbs. max.)	
Length of Stroke	36"	56"
Max. Strokes Per Minute	50	
Hydraulic Requirements	12 GPM 2000 PSI	
Posts (Wood/Steel)	3" - 8"	

## Features

- ◆ Designed for smooth operation with no shock load back to skid-steer.
- ◆ Easily align posts.
- ◆ Hammer weight is 275 lbs. Additional weight can be added for a total of 700 lbs.
- ◆ Drive up to 60 posts an hour.

*Since 1910*

# DANUSER

## INDUSTRIAL GROUP

500 E. Third Street  
P.O. Box 368  
Fulton, MO 65251

TEL: (573) 642-2246  
FAX: (573) 642-2240  
E-MAIL: [sales@danuser.com](mailto:sales@danuser.com)



Danuser reserves the right to make changes in design, specifications, and prices without notice and without incurring any obligation relating to such changes.

**Form No. 3152**