

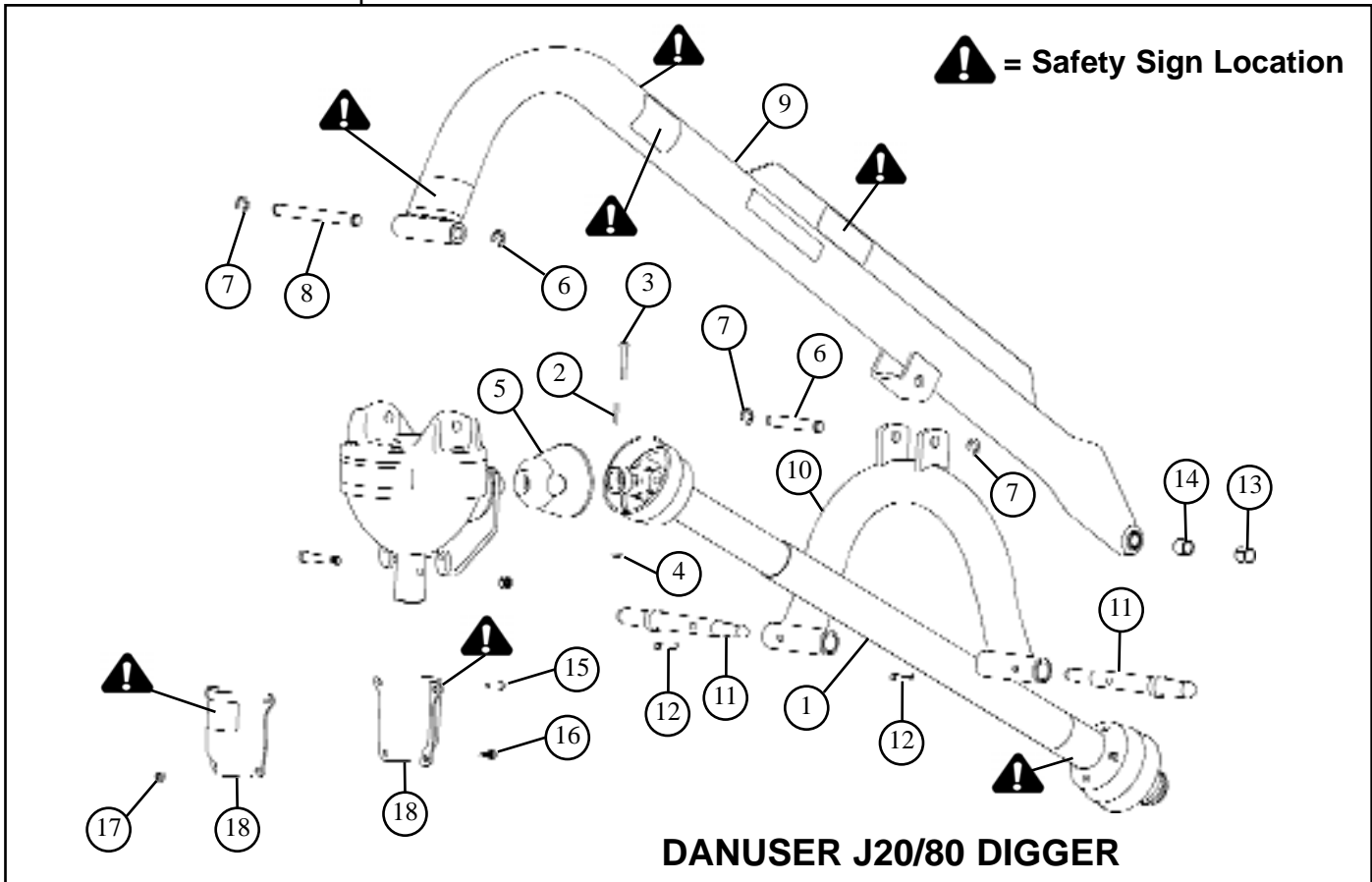
(Parts Pages Follow)

## ATTENTION

If you need an Owner's/Operator's Manual and/or safety signs (decals), then please contact Danuser. Provide your Model Number and Serial Number, and we will be happy to mail it to you.

Danuser Machine Company, Inc.  
500 E. 3<sup>rd</sup> St.  
P.O. Box 368  
Fulton, MO 65251  
Tel: (573) 642-2246  
Fax: (573) 642-2240  
E-mail: [sales@danuser.com](mailto:sales@danuser.com)

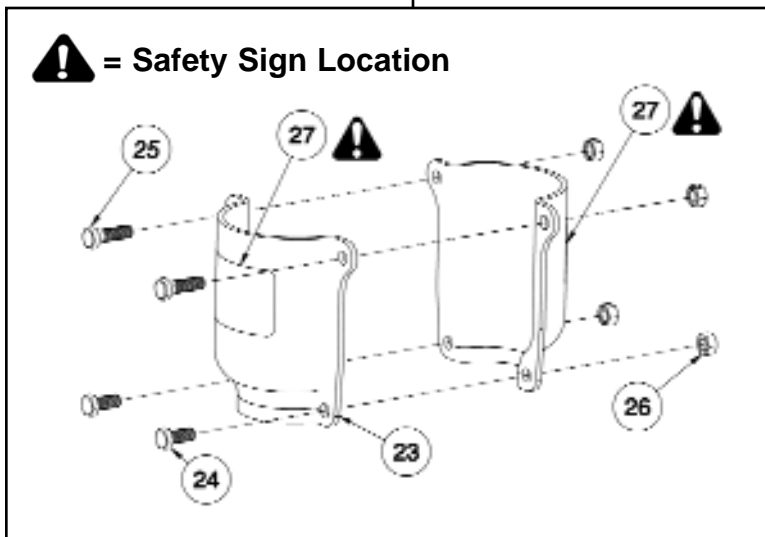
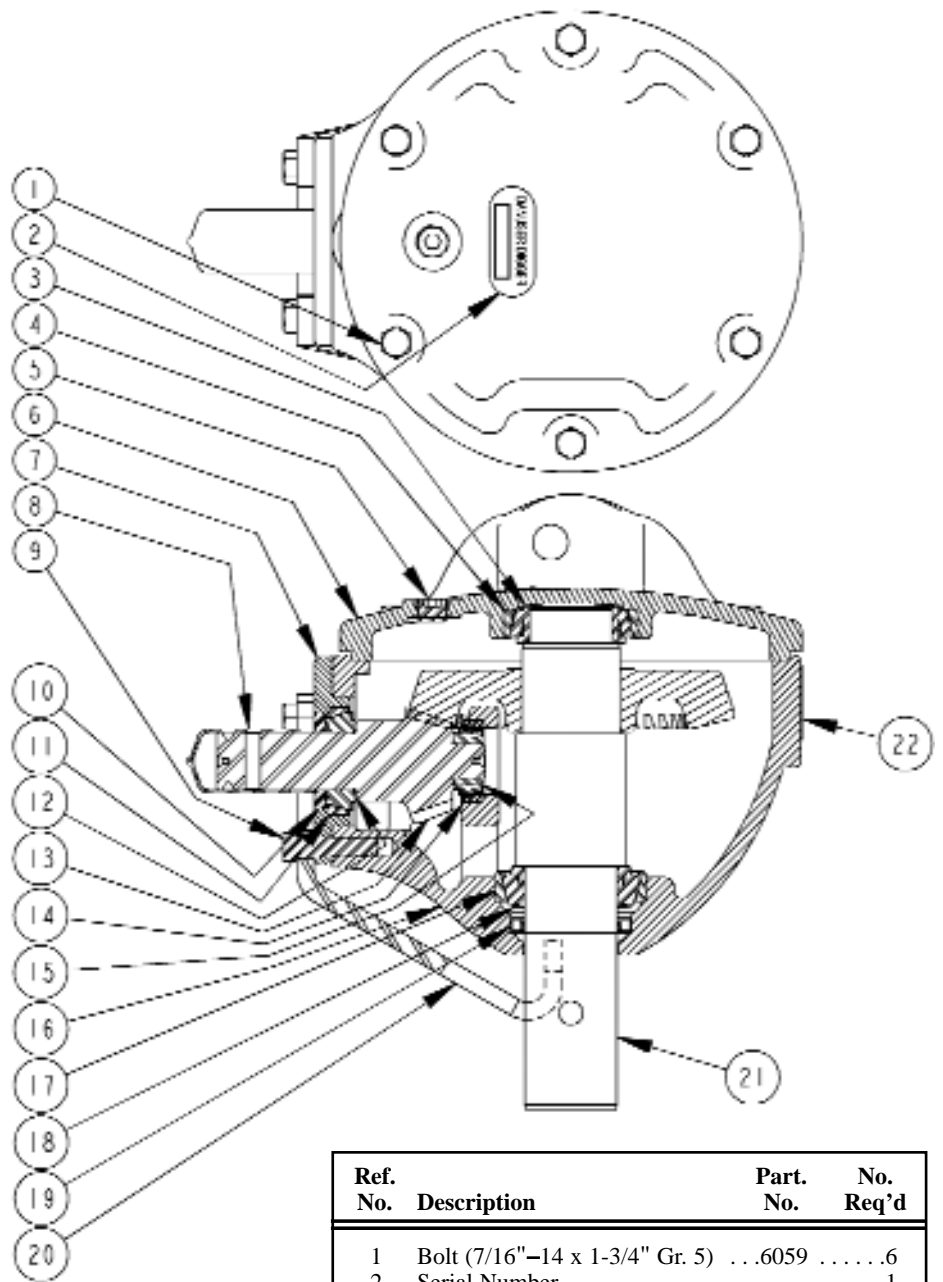
# Digger Parts



Ref. No.	Description	Part No.	No Req'd
	Driveline Package . . . . .	.6814	. . . . .1
	(consists of the following)		
1	Driveline . . . . .	.6807	. . . . .1
2	Roll Pin (3/16" x 1-1/2") . . . . .	.6061	. . . . .1
3	Shear Bolt (5/16"-18 x 2-1/4" Gr. 5, 13/32" of thread) . . . . .	.6015 *	. . . . .3
	(SPECIAL BOLT: Use Genuine Danuser Replacement Only)		
4	Nut (5/16"-18) . . . . .	.573 *	. . . . .3
5	Pinion Guard . . . . .	.6057	. . . . .1
6	Pin (3/4" x 4-15/16") . . . . .	.6055	. . . . .1
7	Retaining Ring . . . . .	.2172	. . . . .4
8	Pin (3/4" x 8") . . . . .	.6056	. . . . .1
9	Boom . . . . .	.6803	. . . . .1
10	Yoke . . . . .	.6804	. . . . .1
11	Link Pin . . . . .	.6806	. . . . .2
12	Roll Pin . . . . .	.7457	. . . . .2
13	Bushing . . . . .	.8590	. . . . .1
14	Bushing . . . . .	.7467	. . . . .1
	Gearbox Assembly . . . . .	.6042	. . . . .1
	(consists of the following)		
15	Bolt (3/8"-16 x 1-1/4" Gr. 5) . . . . .	.1180	. . . . .2
16	Bolt (3/8"-16 x 7/8" Gr. 5) . . . . .	.2339	. . . . .2
17	Nut (3/8"-16) . . . . .	.2168	. . . . .4
18	Auger Adapter Shield . . . . .	.6137	. . . . .2
	Owner's Manual (in digger box) . . . . .		. . . . .1

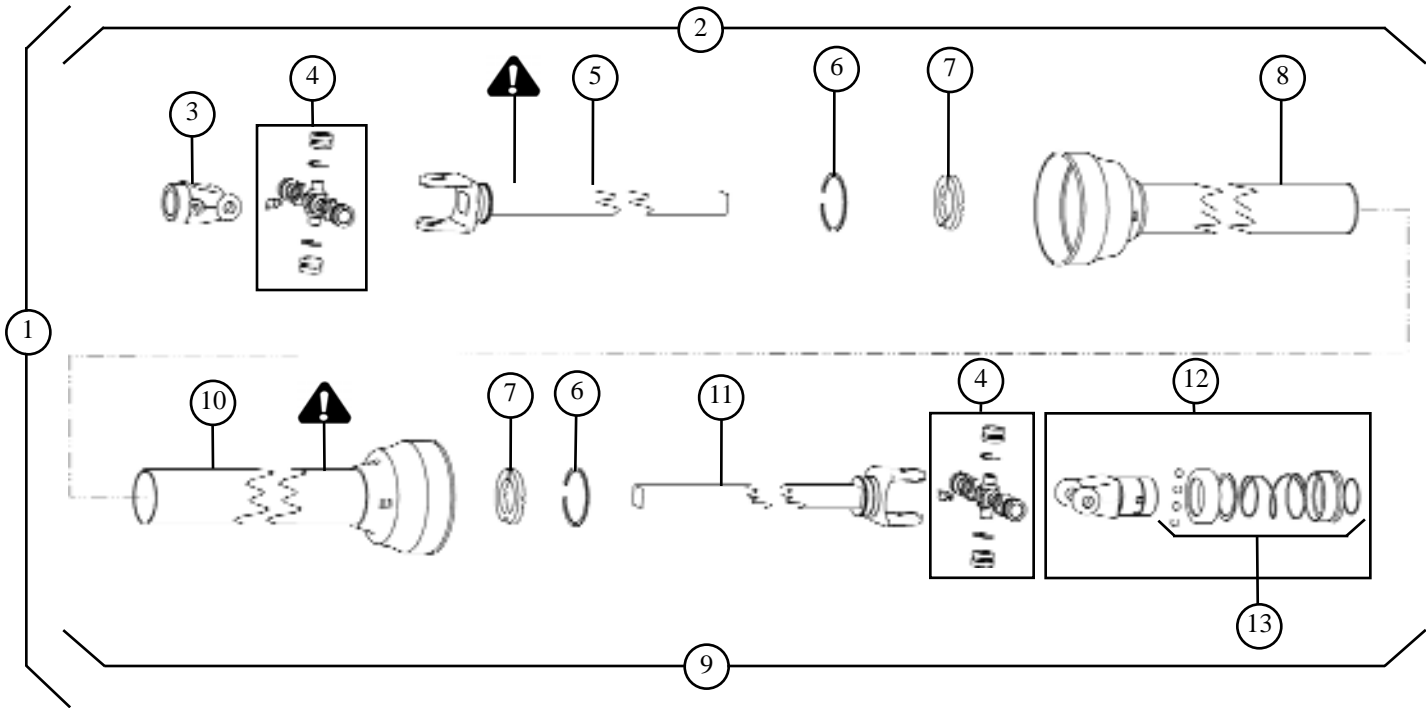
\* One required in unit. Two extra are included in package for replacement.

# Gearbox Assembly



Ref. No.	Description	Part. No.	No. Req'd
1	Bolt (7/16"–14 x 1-3/4" Gr. 5) . . .	.6059	. . . . .6
2	Serial Number . . . . .		. . . . .1
3	Cone (Upper Spindle) . . . . .	.6009	. . . . .1
4	Cup (Upper Spindle) . . . . .	.6008	. . . . .1
5	Housing Cover Plug . . . . .	.1113	. . . . .1
6	Gear Housing Cover . . . . .	.6004	. . . . .1
7	Cap . . . . .	.6005	. . . . .1
8	Cap (Pinion Protection) . . . . .	.6016	. . . . .1
9	Bolt (7/16"–14 x 1-3/4" Gr. 5) . . .	.6059	. . . . .3
10	Oil Seal (Pinion) . . . . .	.6017	. . . . .1
11	Cup (Outer Pinion) . . . . .	.6012	. . . . .1
12	Cone (Outer Pinion) . . . . .	.6013	. . . . .1
13	Pinion . . . . .	.6349	. . . . .1
14	Cup (Inner Pinion) . . . . .	.6010	. . . . .1
15	Cone (Inner Pinion) . . . . .	.6011	. . . . .1
16	Gear Housing . . . . .	.6003	. . . . .1
17	Cup (Lower Spindle) . . . . .	.6006	. . . . .1
18	Cone (Lower Spindle) . . . . .	.6007	. . . . .1
19	Oil Seal (Spindle) . . . . .	.6018	. . . . .1
20	Guard Bracket . . . . .	.6274	. . . . .1
21	Spindle Assembly . . . . .	.6352	. . . . .1
22	Danuser Decal . . . . .	.2088	. . . . .1
23	Auger Adapter Shield . . . . .	.6137	. . . . .2
24	Bolt (3/8"–16 x 7/8" Gr. 5) . . . . .	.2339	. . . . .2
25	Bolt (3/8"–16 x 1-1/4" Gr. 5) . . . .	.1180	. . . . .2
26	Nut (3/8"–16) . . . . .	.2168	. . . . .4
27	Safety Sign . . . . .	.2169	. . . . .2

# Driveline Parts



= Safety Sign Location

## J20/80 DRIVELINE PARTS



**Part No. 13-10022**  
Location: Driveline tube, under guard



**PART NO. 13-10021**  
Location: Driveline Guard

Ref. No.	Description	Part. No.	No. Req'd
1	Driveline Telescoping Assembly with Guard	.6814	1
2	Digger Half with Guard	.6815	1
3	End Yoke	.6809	1
4	Center Cross Repair Kit	.6817	2
5	Yoke and Tube	.6811	1
6	Bearing Retainer	.6067	2
7	Nylon Bearing	.7258	2
8	Inner Guard (incl. Centralizer)	.6810	1
9	Tractor Half with Guard	.6816	1
10	Outer Guard	.6813	1
11	Yoke and Shaft	.6812	1
12	Spring-Lok Yoke Assembly	.7269	1
13	Spring-Lok Repair Kit	.6131	1



End Yokes Properly Aligned

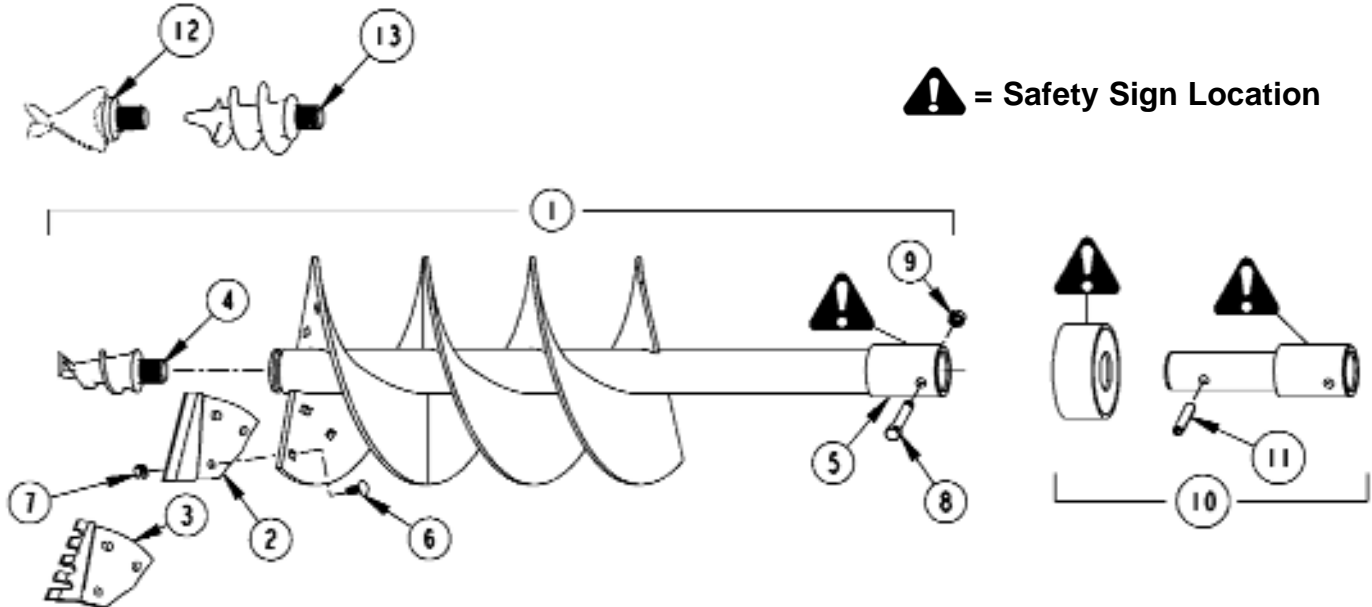
## CAUTION

Failure to properly align end yokes may result in excessive vibration. Always be sure guards are in place and rotate freely.

# Auger Assemblies



When using an extension, Ref. No. 8 (PN 6014) and Ref. No. 9 (PN 1056) should be relocated from the auger adapter to the extension adapter, and Ref. No. 11 (PN 6239) should be used to attach the auger to the extension to avoid possible entanglement.



= Safety Sign Location

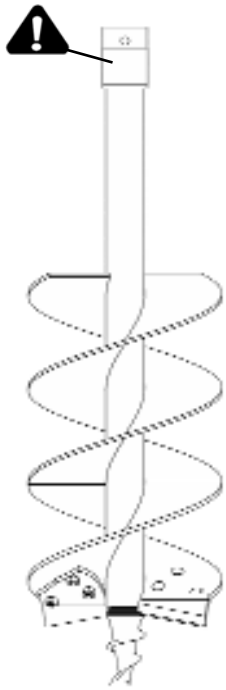
**NOTE** Augers have replaceable points and edges. Serrated cutting edges (Ref. No. 3) and optional points (Ref. No. 12 and Ref. No. 13) are available to aid penetration in tough digging conditions. Flights are replaceable except on 4" and 6" augers, where the flight is a continuous spiral. Cutting edges on 4" and 6" augers are welded on the auger.

## AUGER ASSEMBLIES FOR 2" ROUND SPINDLES

Ref. No.	Part Number by Auger Diameter								Description	No. Req'd
	4"	6"	9"	12"	14"	16"	18"	24"		
1	See next page for available augers.								Auger	1
2	7782	7783							Plain Cutting Edges (Weld On)	1 Set
			7784	7790	7792	7794	7796	7798	Plain Cutting Edges (with Bolts & Nuts)	1 Set
3			7785	7791	7793	7795	7797	7799	Serrated Cutting Edges (with Bolts & Nuts)	1 Set
4	899	831	831	831	831	831	831	831	Standard Auger Point	1
5	6019	6019	6019	6019	6019	6019	6019	6019	Auger Adapter Replacement (for Field Welding)	1
6			784	784	784	784	784	784	Cutting Edge Bolt (3/8"-16 x 1" Carriage)	As Req'd
7			785	785	785	785	785	785	Cutting Edge Nut (3/8"-16 Hex)	As Req'd
8	6014	6014	6014	6014	6014	6014	6014	6014	Retaining Bolt (1/2"-13 x 3-1/4" Gr. 8, 1/2" of thread) <b>SPECIAL BOLT:</b> Use Genuine Danuser Replacement Only	1
9	1056	1056	1056	1056	1056	1056	1056	1056	Retaining Nut (1/2"-13 Hex)	1
10	6080G	6080G	6080G	6080G	6080G	6080G	6080G	6080G	Auger Extension with Guard (7")	1
	6204G	6204G	6204G	6204G	6204G	6204G	6204G	6204G	Auger Extension with Guard (14")	1
	6207G	6207G	6207G	6207G	6207G	6207G	6207G	6207G	Auger Extension with Guard (21")	1
11	6239	6239	6239	6239	6239	6239	6239	6239	Coiled Pin (1/2" x 2-3/4") <b>SPECIAL PIN:</b> Use Genuine Danuser Replacement Only	1
12		1937	1937	1937	1937	1937	1937	1937	Special Duty Auger Point	1
13		6210	6210	6210	6210	6210	6210	6210	Aggressive Duty Auger Point	1

# 2" Round Augers

 = Safety Sign Location

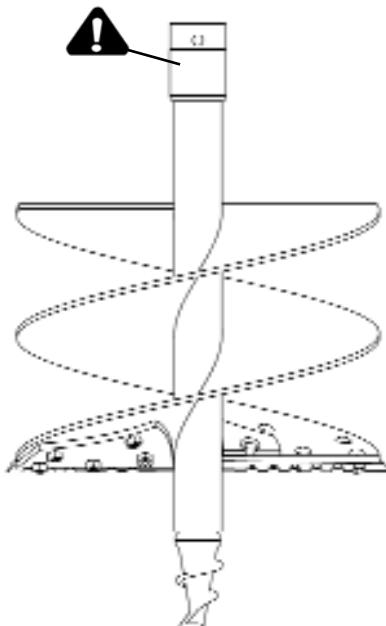
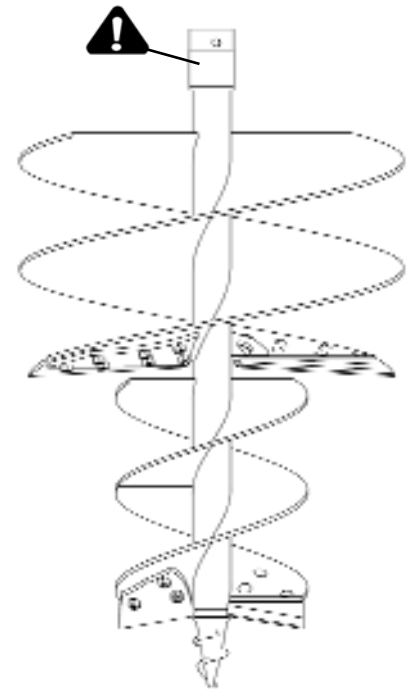


## 2" ROUND SPINDLE AUGERS

Part Number by Auger Diameter								Description
4"	6"	9"	12"	14"	16"	18"	24"	
6101	6029	6030	6032	6034	6036	6038	6040	40" Long with Plain Edges & Standard Point
		6031	6033	6035	6037	6039	6041	40" Long with Serrated Edges & Standard Point

## 2" ROUND SPINDLE STEPPED AUGERS

Part Number by Auger Diameter			Description
18" x 10"	24" x 12"	30" x 16"	
6240			33" Long with Plain Edges & Standard Point Auger Uses Both Dimensions of Cutting Edges
6248			33" Long with Serrated Edges & Standard Point Auger Uses Both Dimensions of Cutting Edges
	6241	6242	40" Long with Plain Edges & Standard Point Auger Uses Both Dimensions of Cutting Edges
	6249	6250	40" Long with Serrated Edges & Standard Point Auger Uses Both Dimensions of Cutting Edges

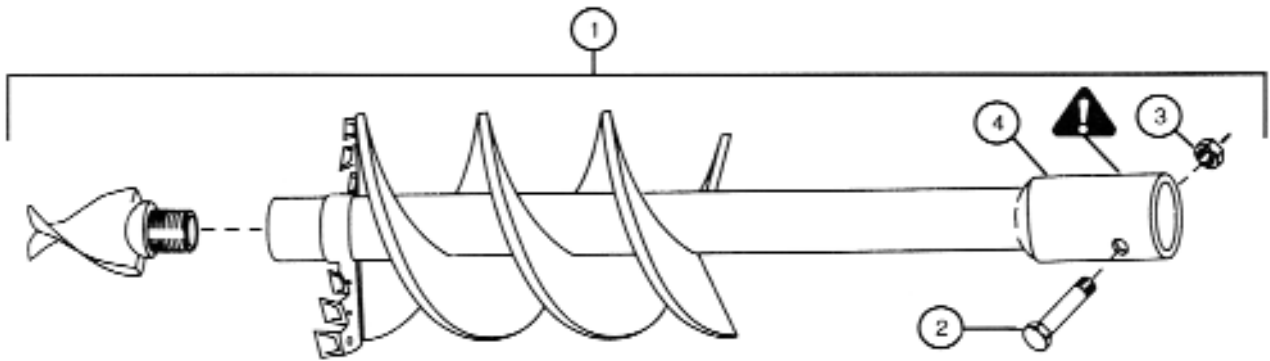


## 2" ROUND SPINDLE ORCHARD AUGERS

Part Number by Auger Diameter		Description
18"	24"	
6256	6255	29" Long with Serrated Edges & Standard Point

# Hole Digger Head Auger Assemblies

 = Safety Sign Location



**NOTE** Hole Digger Head Augers have replaceable points and teeth. Flights are replaceable, except on 6".

**NOTE** Auger Point PN 9353 is the only auger point that can be used with Hole Digger Heads.

## AUGER ASSEMBLIES WITH HOLE DIGGER HEADS FOR 2" ROUND SPINDLES

Ref. No.	Part Number by Auger Diameter					Description	No. Req'd
	6"	9"	12"	14"	16"		
1	6121	6122	6123	6124	6125	40" Hole Depth Auger with Double Flight Construction	1
2	6014	6014	6014	6014	6014	Retaining Bolt (1/2"-13 x 3-1/4" Gr. 8, 1/2" of thread) <b>SPECIAL BOLT:</b> Use Genuine Danuser Replacement Only	1
3	1056	1056	1056	1056	1056	Retaining Nut (1/2"-13)	1
4	6019	6019	6019	6019	6019	Auger Adapter Replacement (for Field Welding)	1

Hole Digger Head Kits can be welded onto standard augers.



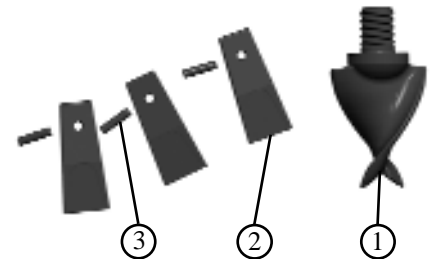
### HOLE DIGGER HEAD REPLACEMENT PARTS

Ref. No.	Description	Part. No.
1	Hole Digger Head Point . . . . .	9353
2	Hole Digger Head Tooth . . . . .	9234
	Hard-Surface Tooth (option) . . . . .	9964
3	Roll Pin (5/16" x 1-1/4") . . . . .	7483

### HOLE DIGGER HEAD KIT\* (Field Weld to Auger)

Auger Diameter	No. Teeth per Head	Part. No.
6" . . . . .	2 . . . . .	9386
9" . . . . .	4 . . . . .	9306
12" . . . . .	4 . . . . .	9308
14" . . . . .	6 . . . . .	9309
16" . . . . .	6 . . . . .	9310

\* Includes head with teeth and roll pins, point and point adapter with tube, for welding to auger center column.



# Accessories

Standard



1

Special Duty



2

Aggressive Duty



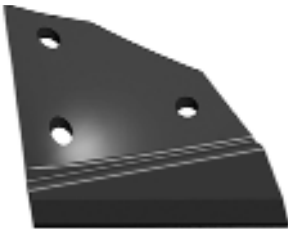
3

## AUGER POINTS

Ref. No.	Description	Part No.
1	Standard for augers 6" through 24" diameter . . . . .831 <b>only</b> point for 4" augers . . . . .899	
2	Special Duty . . . . .1937	
3	Aggressive Duty . . . . .6210	

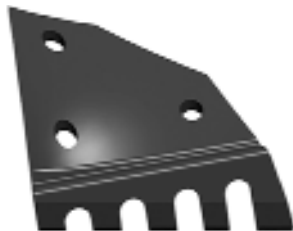
See Hole Digger Head Point on separate page.

Plain



1

Serrated



2

## CUTTING EDGES

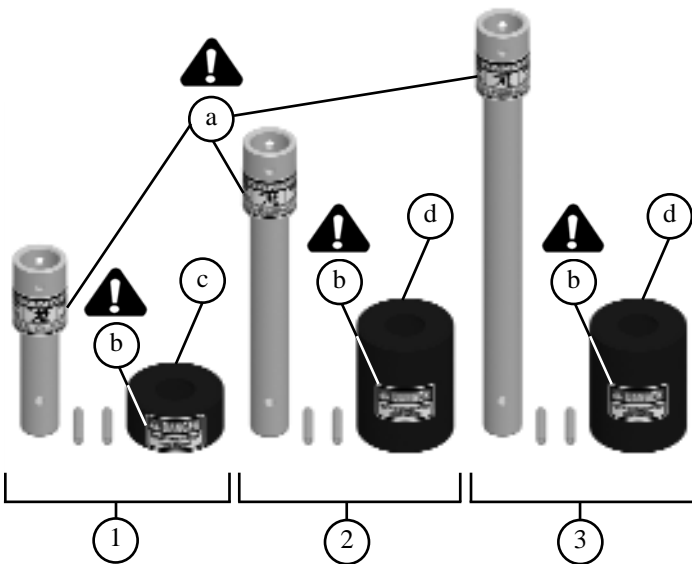
Ref. No.	Description	Part No.
1	Plain . . . . .See charts	
2	Serrated . . . . .See charts	

See Hole Digger Head Teeth on separate page.

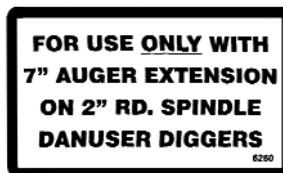
## AUGER EXTENSIONS

Ref. No.	Description	Part No.
1	7" Auger Extension with 2 Special Coiled Pins & Auger Extension Guard . . .6080G	
2	14" Auger Extension with 2 Special Coiled Pins & Auger Extension Guard . . .6204G	
3	21" Auger Extension with 2 Special Coiled Pins & Auger Extension Guard . . .6207G	
a	Safety Sign . . . . .PHDC5	
b	Safety Sign . . . . .2169	
c	Decal . . . . .6260	
d	Decal . . . . .6262	

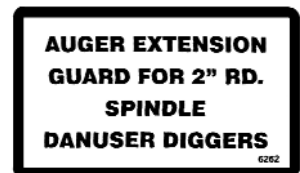
= Safety Sign Location



Auger extensions with Auger Extension Guards are available in lengths of 7, 14, and 21 inches for extra hole depth. Make sure your tractor can accommodate the extra length and still have adequate clearance. Use **only** factory supplied coiled pins to connect the auger to the auger extension. Two coiled pins are shipped with the auger extension, one to install and one spare. When installed, the coiled pin must be flush with the sides of the auger, and the area should be covered by the Auger Extension Guard. The auger retaining bolt should be covered by the Auger Adapter Guard.



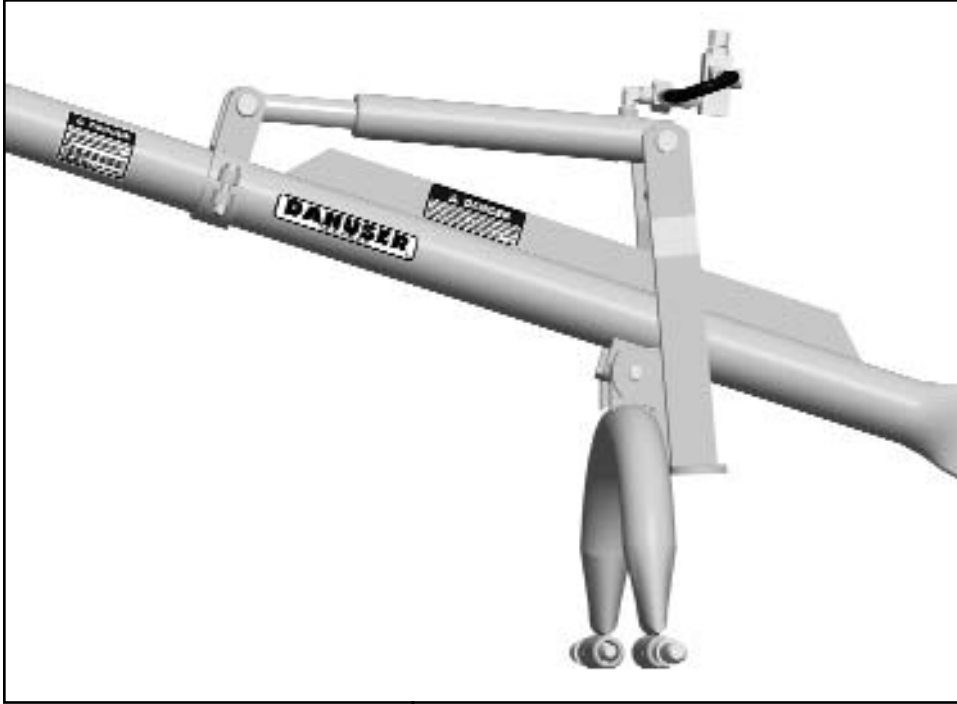
c



d

## Accessories

(continued)



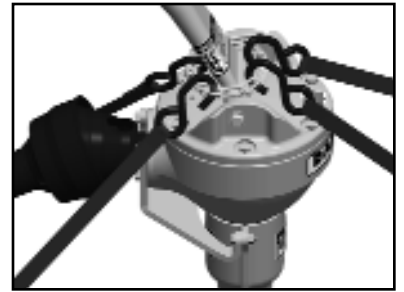
## DOWN FORCE KIT

A Down Force Kit (PN 6818) is available to make difficult digging easier.

The kit attaches to all J20/80 Diggers without alteration and with the use of ordinary hand tools. It provides approximately 500 pounds of additional force to the auger point for easier penetration of hard or frozen ground.

The kit does not interfere with normal digging operations.

The kit operates from the tractor hydraulic system with normal remote cylinder outlets. Customer provides mating coupler tip to fit his particular tractor as well as sufficient hydraulic hose and fittings to connect the valve to the tractor sump.



J20/80 shown above

The Danuser Auger Cart, U.S. Patent No.: 6,419,245 B1, allows you to quickly and easily attach/detach, transport, and store Danuser 3-pt. Hitch Diggers: F8 (shown), J20/80, G20/40, 8800, and 8900.

The Danuser Auger Cart has four wheels, steering capabilities, and a parking brake. It can be used on any level surface. Maximum auger diameter is 24".



**AUGER CART**

U.S. Patent No.: 6,419,245 B1