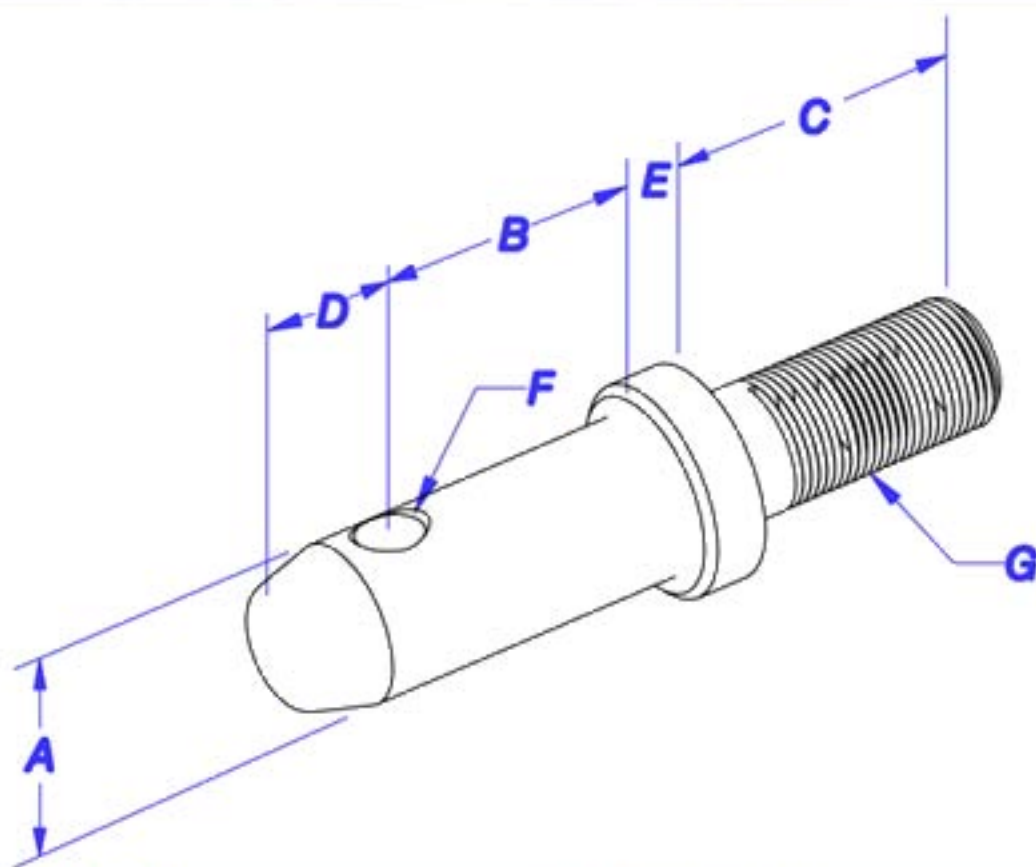


LINK PINS

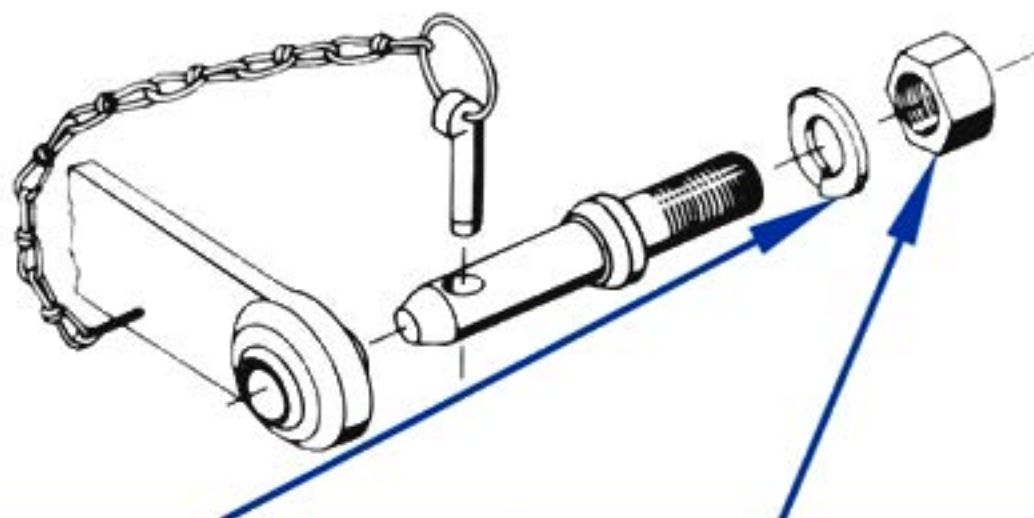
Danuser Link Pins are forged from medium carbon or alloy steel in pin diameters of 5/8, 7/8, and 1-1/8 inches. Link Pins, cross-drilled to accept Danuser [Klik Pins](#), are heat treated and zinc plated with yellow dichromate finish to resist rust. Hexagon nuts and spring type lock washers can be purchased for each of the Link Pins. We also welcome your inquiries on machined pins made to your design and specifications.



CATEGORY	PART ID	DIMENSIONS IN INCHES							CAD MODEL	IMAGE	
		A	B	C	D	E	F	G			
0	5873	5/8	1.44	1.50	.56	.38	.28	5/8-11	CAD		Quote
I	5412	7/8	2.00	2.12	.94	.44	.47	7/8-14	CAD		Quote
II	5414	1-1/8	1.95	2.12	.94	.44	.47	7/8-14	CAD		Quote
II	5972	1-1/8	2.00	2.50	.75	.44	.47	1-1/8-12	CAD		Quote
III	5866	1-7/16	2.06	2.50	.94	.50	.47	1-1/8-12	CAD		Quote

LINK PINS

Danuser Link Pins are forged from medium carbon or alloy steel in pin diameters of 5/8, 7/8, and 1-1/8 inches. Link Pins, cross-drilled to accept Danuser [Klik Pins](#), are heat treated and zinc plated with yellow dichromate finish to resist rust. Hexagon nuts and spring type lock washers can be purchased for each of the Link Pins. We also welcome your inquiries on machined pins made to your design and specifications.



DIMENSIONS IN INCHES					DIMENSIONS IN INCHES				
CATEGORY	PART ID	DIAMETER	CAD MODEL	IMAGE	CATEGORY	PART ID	DIAMETER	CAD MODEL	IMAGE
LOCKWASHER					NUT				
0	329	5/8	CAD		0	2434	5/8	CAD	
I & II	5410	7/8	CAD		I & II	5411	7/8	CAD	
II & III	5922	1-1/8	CAD		II & III	5921	1-1/8	CAD	