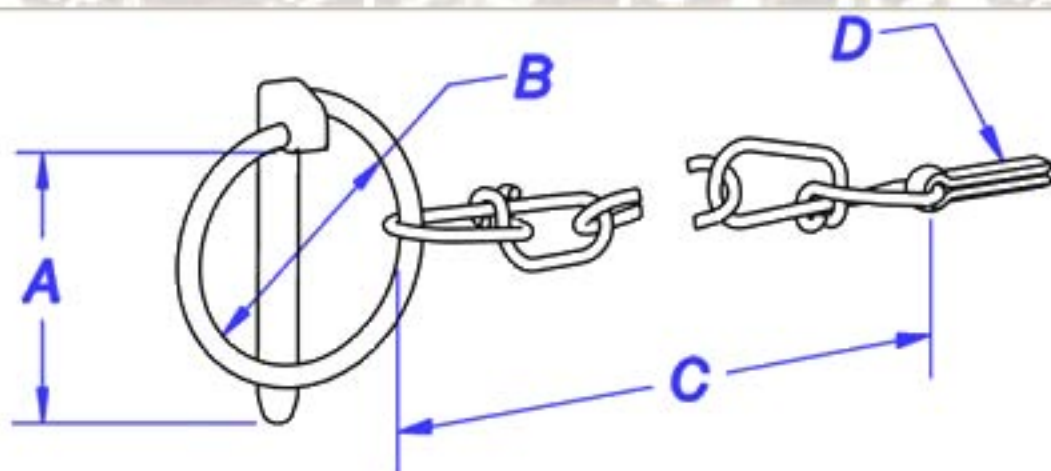


KLIK PINS

All Danuser Klik Pins are forged from high carbon steel and heat treated (core hardened) to withstand wear. Danuser Klik Pins are available in 3/16, 1/4, 5/16, and 7/16 x 11/32 inch pin diameters and are available with or without chain and cotter. The spring steel snap ring is assembled mechanically to prevent any stretch or loss of tension. All parts are zinc plated with a yellow dichromate finish with the exception of the Danuser [Special Duty Klik Pin](#). This [Special Duty Klik Pin](#) has an extra heavy chrome-silicon spring steel snap ring with black oxide finish. The [Special Duty Klik Pin](#) requires approximately four times greater force to open than required on other Danuser Klik Pins. The Danuser "[Safety Lock](#)" is the ultimate in a positive quick-release Klik Pin. In the closed position, the free ends of the snap ring are seated in locking grooves. Only a firm pressure to BOTH sides of the snap ring will free the ends from the locking grooves.

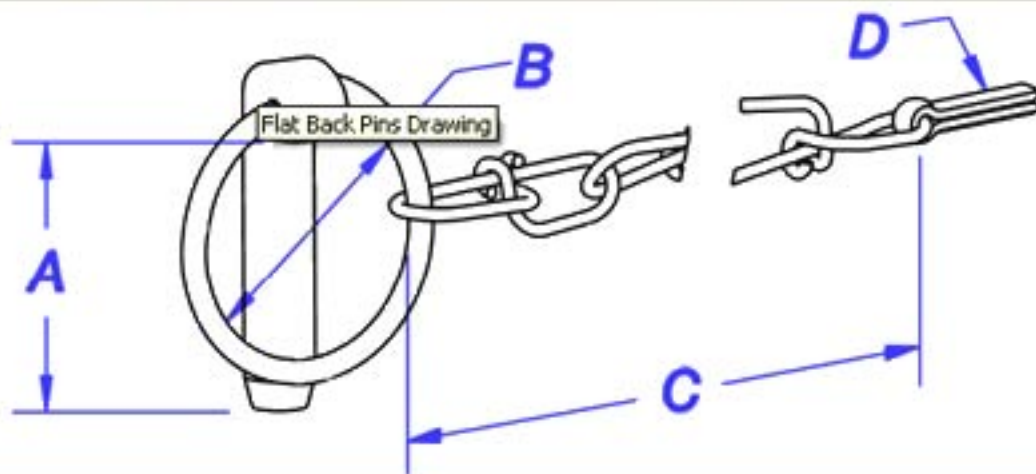


ROUND PINS

PART ID	DIMENSIONS IN INCHES					CAD MODEL	IMAGE (Click to Enlarge)	REQUEST FOR QUOTE
	PIN SIZE	A	B	C	D			
		PIN LENGTH	INSIDE RING DIA.	CHAIN LENGTH	COTTER SIZE			
7637	3/16	1-1/4	1	-	-	CAD		Quote
7652	3/16	1-1/4	1	6-1/4	3/32 x 3/4	CAD		Quote
1185	1/4	1-3/4	1-5/8	-	-	CAD		Quote
1600	1/4	1-3/4	1-3/8	-	-	CAD		Quote
1601	1/4	1-3/4	1-3/8	7-3/4	3/16 X 3/4	CAD		Quote
34072	5/16	2-11/32	2-1/16	-	-	CAD		Quote
7618	5/16	2-11/32	1-5/8	-	-	CAD		Quote
7619	5/16	2-11/32	1-5/8	7-3/4	3/16 X 3/4	CAD		Quote

KLIK PINS

All Danuser Klik Pins are forged from high carbon steel and heat treated (core hardened) to withstand wear. Danuser Klik Pins are available in 3/16, 1/4, 5/16, and 7/16 x 11/32 inch pin diameters and are available with or without chain and cotter. The spring steel snap ring is assembled mechanically to prevent any stretch or loss of tension. All parts are zinc plated with a yellow dichromate finish with the exception of the Danuser [Special Duty Klik Pin](#). This [Special Duty Klik Pin](#) has an extra heavy chrome-silicon spring steel snap ring with black oxide finish. The [Special Duty Klik Pin](#) requires approximately four times greater force to open than required on other Danuser Klik Pins. The Danuser "[Safety Lock](#)" is the ultimate in a positive quick-release Klik Pin. In the closed position, the free ends of the snap ring are seated in locking grooves. Only a firm pressure to BOTH sides of the snap ring will free the ends from the locking grooves.

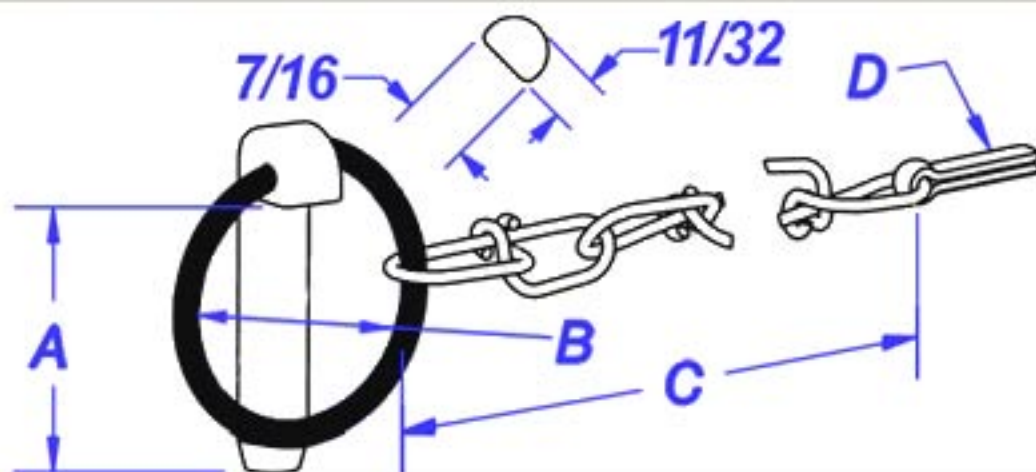


FLAT BACK PINS

PART ID	DIMENSIONS IN INCHES					CAD MODEL	IMAGE (Click to Enlarge)	REQUEST FOR QUOTE
	PIN SIZE	A	B	C	D			
		PIN LENGTH	INSIDE RING DIA.	CHAIN LENGTH	COTTER SIZE			
317	7/16 X 11/32	1-3/4	1-3/8	7-3/4	3/16 X 3/4	CAD	Image	Quote
1533	7/16 X 11/32	1-3/4	1-3/8	-	-	CAD	Image	Quote
948	7/16 X 11/32	1-3/4	1-5/8	-	-	CAD	Image	Quote
7524	7/16 X 11/32	2	1-7/8	-	-	CAD	Image	Quote
7525	7/16 X 11/32	2	1-7/8	7-3/4	3/16 X 3/4	CAD	Image	Quote
34046	7/16 X 11/32	2	2-1/16	-	-	CAD	Image	Quote

KLIK PINS

All Danuser Klik Pins are forged from high carbon steel and heat treated (core hardened) to withstand wear. Danuser Klik Pins are available in 3/16, 1/4, 5/16, and 7/16 x 11/32 inch pin diameters and are available with or without chain and cotter. The spring steel snap ring is assembled mechanically to prevent any stretch or loss of tension. All parts are zinc plated with a yellow dichromate finish with the exception of the Danuser [Special Duty Klik Pin](#). This [Special Duty Klik Pin](#) has an extra heavy chrome-silicon spring steel snap ring with black oxide finish. The [Special Duty Klik Pin](#) requires approximately four times greater force to open than required on other Danuser Klik Pins. The Danuser "[Safety Lock](#)" is the ultimate in a positive quick-release Klik Pin. In the closed position, the free ends of the snap ring are seated in locking grooves. Only a firm pressure to BOTH sides of the snap ring will free the ends from the locking grooves.

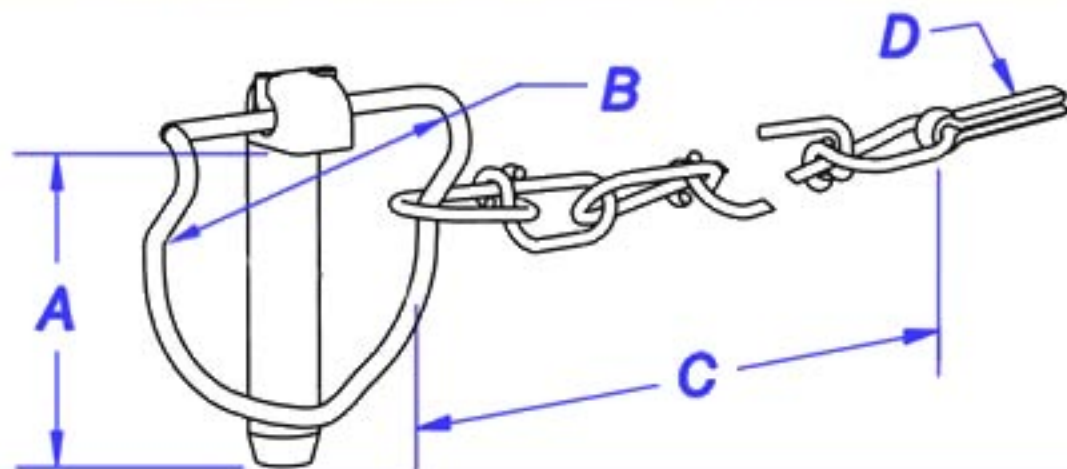


SPECIAL DUTY PINS

PART ID	PIN SIZE	DIMENSIONS IN INCHES				CAD MODEL	IMAGE (Click to Enlarge)	REQUEST FOR QUOTE
		A PIN LENGTH	B INSIDE RING DIA.	C CHAIN LENGTH	D COTTER SIZE			
7631	7/16 X 11/32	1-3/4	1-3/8	-	-	CAD		Quote
7634	7/16 X 11/32	1-3/4	1-3/8	7-3/4	3/16 X 3/4	CAD		Quote
7842	7/16 X 11/32	1-3/4	1-5/8	-	-	CAD		Quote
7843	7/16 X 11/32	1-3/4	1-5/8	7-3/4	3/16 X 3/4	CAD		Quote
7862	7/16 X 11/32	2	1-5/8	-	-	CAD		Quote

KLIK PINS

All Danuser Klik Pins are forged from high carbon steel and heat treated (core hardened) to withstand wear. Danuser Klik Pins are available in 3/16, 1/4, 5/16, and 7/16 x 11/32 inch pin diameters and are available with or without chain and cotter. The spring steel snap ring is assembled mechanically to prevent any stretch or loss of tension. All parts are zinc plated with a yellow dichromate finish with the exception of the Danuser [Special Duty Klik Pin](#). This [Special Duty Klik Pin](#) has an extra heavy chrome-silicon spring steel snap ring with black oxide finish. The [Special Duty Klik Pin](#) requires approximately four times greater force to open than required on other Danuser Klik Pins. The Danuser "[Safety Lock](#)" is the ultimate in a positive quick-release Klik Pin. In the closed position, the free ends of the snap ring are seated in locking grooves. Only a firm pressure to BOTH sides of the snap ring will free the ends from the locking grooves.



SAFETY LOCK PINS

PART ID	DIMENSIONS IN INCHES					CAD MODEL	IMAGE (Click to Enlarge)	REQUEST FOR QUOTE
	PIN SIZE	A	B	C	D			
		PIN LENGTH	INSIDE RING DIA.	CHAIN LENGTH	COTTER SIZE			
9655	7/16 X 11/32	2	1-3/4	7-3/4	3/16 X 3/4		Quote	
9656	7/16 X 11/32	2	1-3/4	-	-		Quote	



To Operate Safety Lock Pins

1. Grasp Safety Lock Pin firmly.
2. Squeeze top of snap ring with firm pressure on both sides.
3. Pull ring upwards.

To lock, simply push ring down, it will snap close and lock.