

Since 1910

2-Year Warranty

# DANUSER INDUSTRIAL GROUP

[www.danuser.com](http://www.danuser.com)

## PALLET FORKS

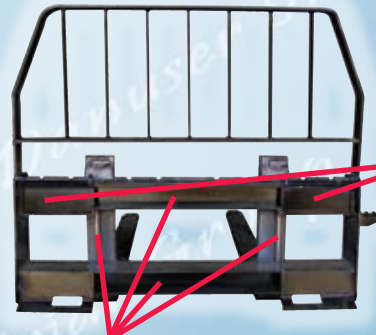


Heavy-duty frame design handles 3,000 to 6,000 lbs., depending on tine option.

Non-skid step and angled side corners allow for easy and safe access in and out of skid-steer.



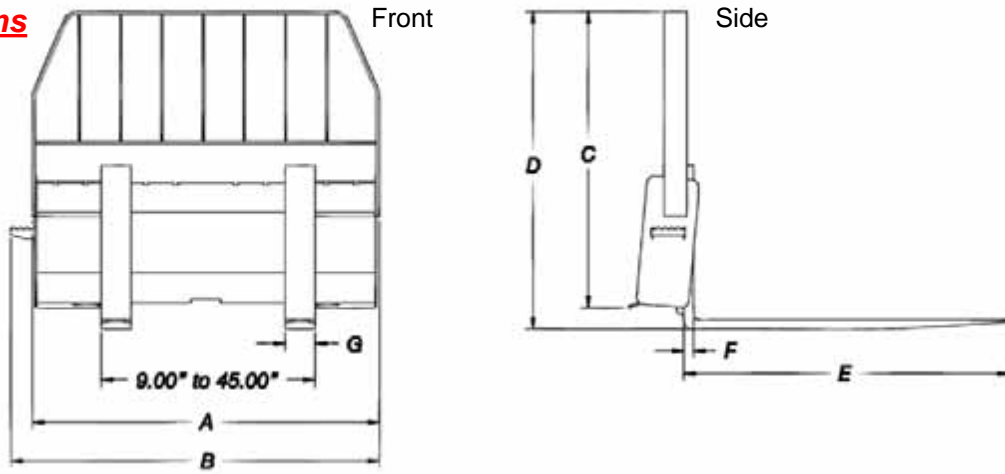
Universal mounting system offers quick attachment to skid-steer SAE standard couplers.



Multiple load tie-down locations on frame.

***Add a proven Danuser attachment to your fleet!***

**Specifications**



		Capacity 3,000 lbs.		Capacity 4,500 lbs.		Capacity 6,000 lbs.	
Frame Width (A)		46-1/4"					
Overall Width (B)		49-1/4"					
Frame Height (C)		39-5/16"					
Overall Height (D)		42"					
Tine Length (E)		42"	48"	42"	48"	42"	48"
Tine Thickness (F)		1-1/4"		1-1/2"		1-3/4"	
Tine Width (G)		4"					
Frame Weight		212 lbs.					
Total Weight		380 lbs.	398 lbs.	406 lbs.	430 lbs.	430 lbs.	452 lbs.
Load Rating Capacity		3,000 lbs. @ 24"		4,500 lbs. @ 24"		6,000 lbs. @ 24"	
ITA Category II Fork Mounting		16"					

**Features**

- ◆ Heavy-duty brick guard and frame are robotically welded and have a powder coat finish.
- ◆ See-through brick guard allows for excellent visibility of the tines and prevents objects from sliding backward.
- ◆ Multiple fork lengths (42" and 48") and capacities offer flexibility for various applications.
- ◆ Adjustable forks allow operators to adjust the spacing between fork tines 9" to 45".
- ◆ 10° back angle maximizes pallet fork breakout force.

*Since 1910*  
**DANUSER**  
**INDUSTRIAL GROUP**

500 E. Third Street  
P.O. Box 368  
Fulton, MO 65251

TEL: (573) 642-2246  
FAX: (573) 642-2240  
E-MAIL: [sales@danuser.com](mailto:sales@danuser.com)

